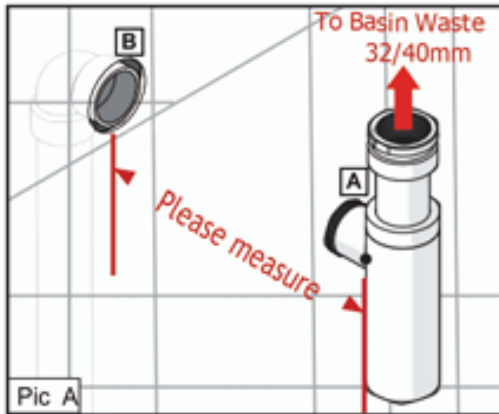
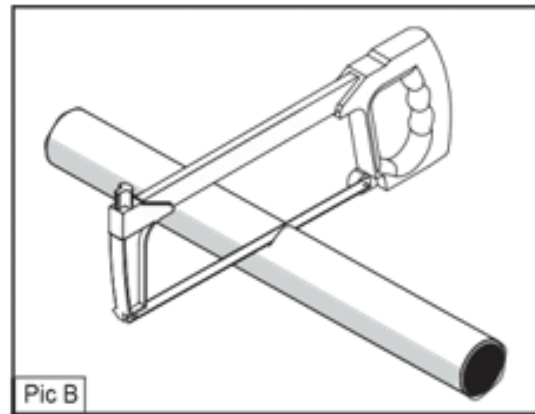


Installation for Bottle Trap

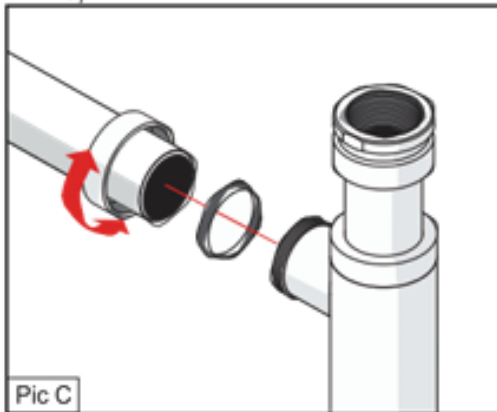
1. To calculate the length of the Outlet Pipe, fit the pre-assembled bottle trap to the basin and measure from the bottle trap shoulder (A) to elbow coupling (B). Add 30mm for internal pipe connection. (Pic A).



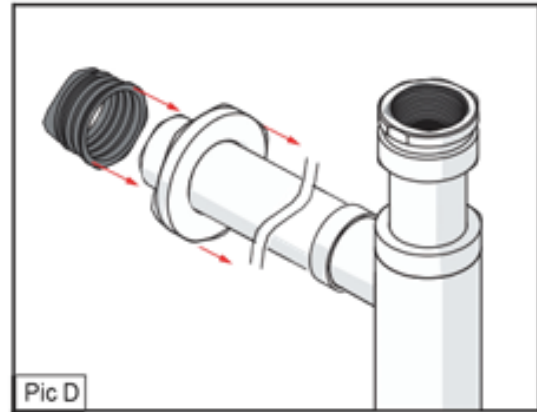
2. Cut the the Outlet Pipe to the calculated length removing all swarf material from th end of the pipe. (Pic B)



3. Once the Bottle trap is removed from the basin and seals lubricated, slide the Outlet Pipe (12) into the Bottle trap shoulder and tighten with the Outlet Retaining Nut.(Pic C)



4. Slide the Cover Plate and Kee Rubber Seal onto the Outlet Pipe.(Pic D)



5. Lubricate the Kee seal and push-fit the Bottle trap and Outlet Pipe assembly into the PVC straight coupling(not supplied).(Pic E) Fit the Bottle trap to the basin waste ensuring the height is adjusted to allow fall of water. Test to ensure the fittings are secure and the Bottletrap is water tight.

